



Wireless Fan Control EW 40

Use

The EW 40 Wireless Fan Control is used to regulate RS chimney fans. The control may be used to operate both solid-fuel and gas-fired fireplaces and stoves. An optional temperature sensor may be installed to provide additional features. The EW 40 is for residential use and may not be suitable for high rise or concrete buildings.

Description

The EW 40 consists of a Power Unit and wireless Control Unit. The Power Unit must be hardwired to the fan and positioned on the chimney near the fan. The Control Unit may be placed anywhere in the room where the heating appliance is located. If the distance between the Power Unit and Control Unit exceeds 30 feet, it may be necessary to install a Repeater Unit (sold separately). No more than three (3) Repeater Units may be used in a single installation.

The Power Unit and Control Unit alone provide only an on/off function and fan speed control. When the temperature sensor is installed, the following functions are made available: automatic start/stop, refiring function and a high temperature warning.

The EW 40 control uses two-way communication and the Z-Wave protocol to transmit a signal between the Control and Power Units. The signal is transmitted via radio waves at a frequency of 908.42 MHz. The EW 40 is protected from communication with non-related devices.

Sequence of Operation

Extra draft is needed to light a fire in an appliance with a cold chimney. Upon initial start-up, the user should set the fan to run at full speed until the chimney warms up (approximately 5-10 minutes).

The refiring function is used with solid fuel stoves and fireplaces only. When the temperature in the chimney falls below the set level, the sensor will send a signal to the Control Unit to alert the user that more fuel is needed. Once new fuel is added, the fan should run at maximum speed for approximately 3 minutes.

The temperature sensor also provides an automatic



start/stop function. If the temperature in the chimney rises significantly, the fan will automatically start to run. The automatic stop function will run the fan for up to 45 minutes after a fire has been extinguished to remove all products of combustion left in the chimney. If the temperature sensor is not installed, the user must manually activate and deactivate the system. The temperature sensor will also send a signal to the Control Unit to trigger an alarm if the chimney temperature becomes abnormally high.

Material

Enclosures made of ABS Plastic

Standard Equipment

Control Unit

Power Unit

Temperature Sensor

Repeater Unit (sold separately)

Listings

ETL listed to UL60730-1A, Standard for Automatic Controls for Household and Similar Use

UL60730-2-9, Particular Requirements for Temperature Sensing Controls

FCC Approved to Part 15 (USA) and ICES-003, Issue 3 (CAN)

Warranty

2-year factory warranty

Specifications are subject to change without notice.

Volko Supply - Chimney Fan Source
www.chimneyfansource.com
800 685 8263

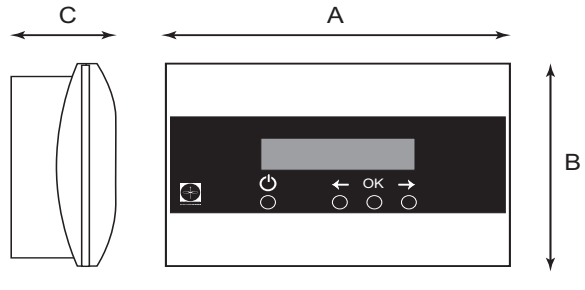
ENERVEX[®]
VENTING DESIGN SOLUTIONS



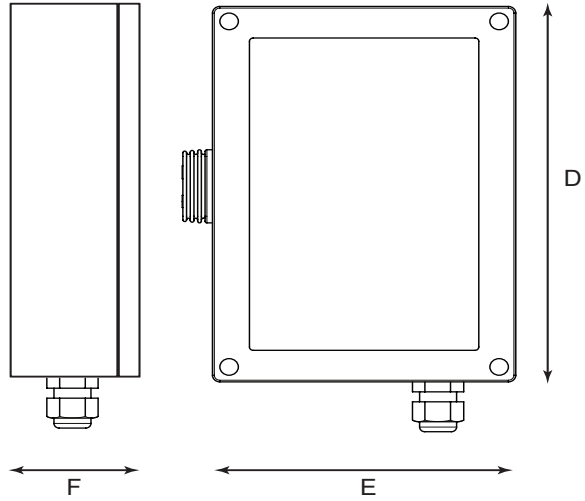
Specifications

EW 40 Control Unit		
Power Supply		2 x 1.5V C-batteries
Battery Life		Approx. 1 year
Operating Temperature	°F/°C	32 to 104 / 0 to 40
Material		ABS Plastic
Dimensions	A in/mm	5.94 / 151
	B in/mm	3.98 / 101
	C in/mm	1.73 / 44
Weight	lbs /kgs	0.9 / 0.41
EW 40 Power Unit		
Power Supply	V	120V +/- 10%, 60 Hz
Power Output	W	2.0
Standby Consumption	W	1
Fuse	A	T6.3
Operating Temperature	°F/°C	- 4 to 140 / - 20 to 60
Material		ABS Plastic
Frequency	MHz	908.42
Protocol		Z-wave
Max. Range	Outdoors ft / m	450+ / 150+
	Indoors ft / m	30 / 10
Protection Class		NEMA 4
Tolerance	inWC/Pa	0.01/3 +/-10%
Dimensions	D in/mm	7.06 / 179
	E in/mm	5.06 / 128
	F in/mm	2.28 / 58
Weight	lbs / kg	1.6 / 0.73
EW 40 Repeater Unit		
Power Supply	V	120V +/- 10%, 60 Hz
Standby Consumption	W	0.75
Operating Temperature	°F/°C	- 4 to 140 / -20 to 60
Material		ABS Plastic
Protection Class		NEMA 1
Dimension	G in/mm	4.72 / 120
	H in/mm	3.15 / 80
	I in/mm	2.28 / 58
Weight	lbs / kg	1.1 / 0.5
Temperature Sensor		
Material		Glass/ Stainless Steel
Type		PT 1000
Operating Temperature	Sensor °F/°C	- 58 to 842 / -50 to 450
	Cable °F/°C	- 58 to 257 / -50 to 125
Dimensions	J in/mm	6.0 / 152
	K (OD) in/mm	.51 / 13
	L in/mm	78 / 1980
Weight	lbs / kg	0.2 / 0.1

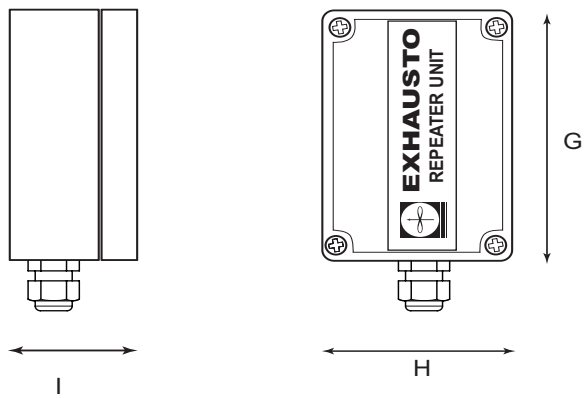
Control Unit



Power Unit



Repeater Unit



Cable

